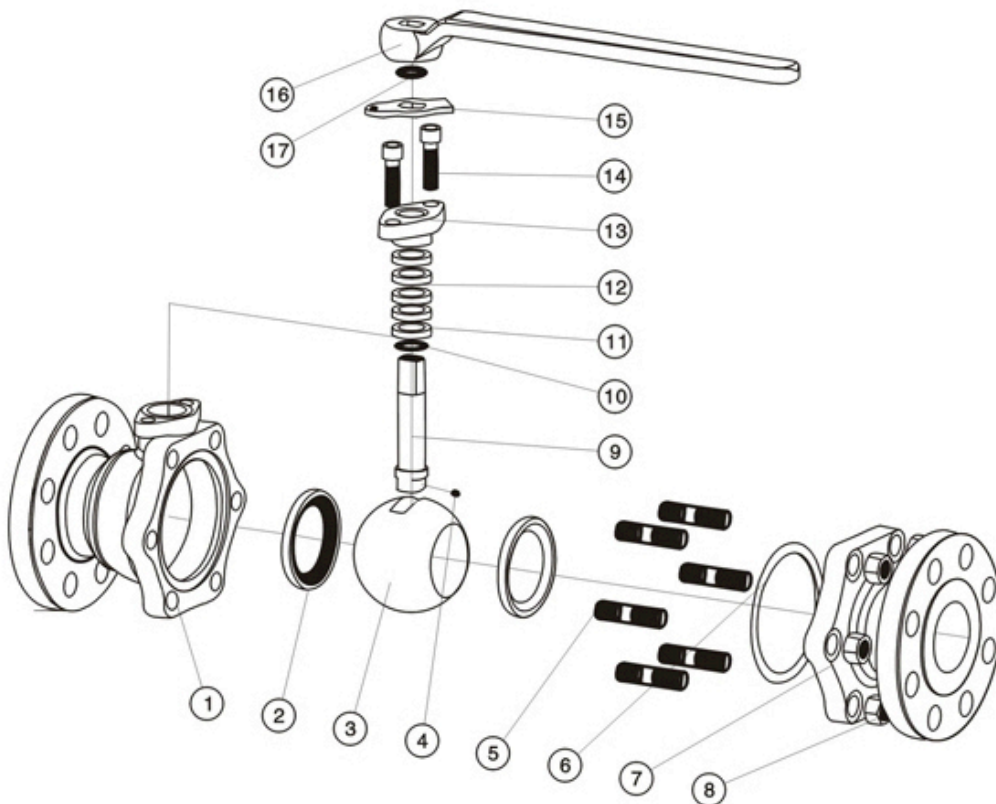


## PRODUCT DETAILS:-

GICOB™ GB Model: Floating Ball Valves Design

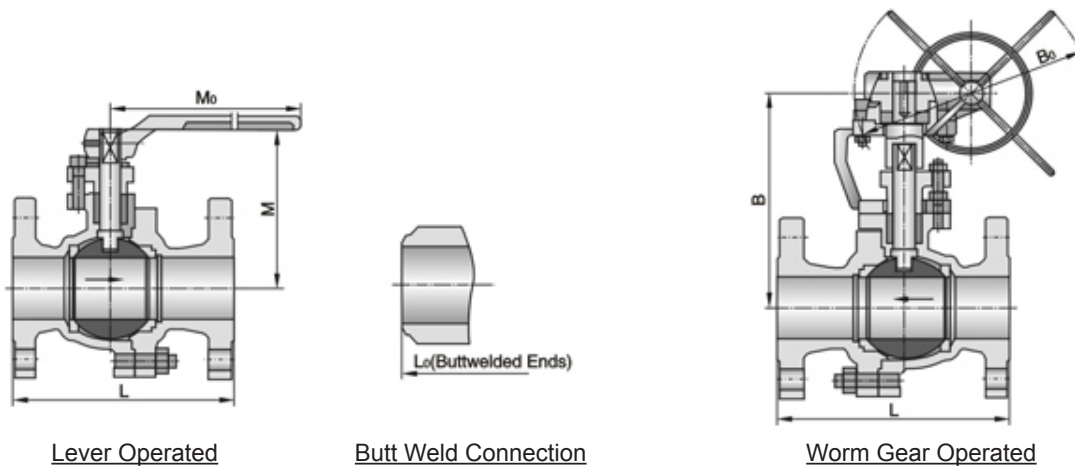


GICOB™ GB Model: Floating Ball Valve Part List

Item	Description	Valve Material			
		Carbon Steel	Stainless Steel	Low Temp Steel	NACE Standard
1	Body	A216 WCB	A351 CF8, CF8M, CF3, CF3M	A352 LCB, LCC	A351 CF8M
2	Seat	PTFEM, RPTFE, Braided Graphite Fibre, Steel+Rubber Assemble			
3	Ball	A105+HCr/ENP	A351 CF8, CF8M, CF3, CF3M	A352 LCB, LCC+ENP	A351 CF8M
4	Spring	INCONEL X-750			
5	Stud	A193 B7	A193 B8, B8M	A320 L7	A193 B8M
6	Gasket	Soft Graphite+SS			
7	Eyebolt Nut	A194 2H	A194 8M	A194 4	A194 8M
8	Bonnet	A216 WCB	A351 CF8, CF8M, CF3, CF3M	A352 LCB, LCC	A351 CF8M
9	Stem	A182 F6A	A182 F304, 316	A182 F6A	A182 F316
10	Bush Bearing	Metal+PTFE, Braided Graphite Fibre			
11	Packing Seat	A182 F6A	SS	A182 F6A	SS
12	Packing	Soft Graphite, PTFE			
13	Gland Packing	A216 WCB	A351 CF8, CF8M	A351 CF8	A351 CF8M
14	Screw	A193 B7	A193 B8, B8M	A320 L7	A193 B8M
15	Locating Plate	GB/T700 Q235A+Zn(Cr)			
16	Circlip	GB/T1222 65Mn			
17	Lever	A216 WCB			

# GICOB™ Floating Ball Valves

## Full Bore Floating Ball Valve Dimensions & Weights (150#, 300#, 600#)



Lever Operated

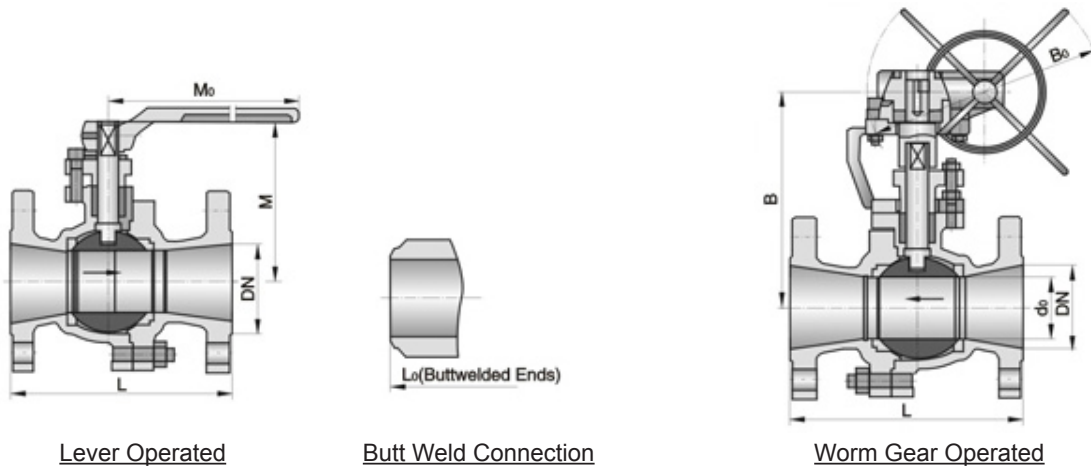
Butt Weld Connection

Worm Gear Operated

NPS (in)	Class 150								Class 300								mm
	L		Lever		Worm Gear		Wt. (kg)	L		Lever		Worm Gear		Wt. (kg)			
	RF	BW	M	M <sub>o</sub>	B	B <sub>o</sub>		RF	BW	M	M <sub>o</sub>	B	B <sub>o</sub>				
1/2	108	140	59	130	-	-	2.5	140	140	59	130	-	-	3			
3/4	117	152	63	130	-	-	3	152	152	63	130	-	-	4			
1	127	165	75	160	-	-	5	165	165	75	160	-	-	6			
1 1/2	165	190	95	230	-	-	7	190	190	95	230	-	-	11			
2	178	246	107	230	-	-	10	216	216	107	230	-	-	15			
2 1/2	191	241	142	400	-	-	15	241	241	142	400	-	-	24			
3	203	283	152	400	-	-	19	283	283	152	400	-	-	30			
4	229	305	178	650	-	-	33	305	305	178	650	-	-	55			
5	356	381	252	1050	-	-	58	381	381	252	1050	-	-	81			
6	394	457	272	1050	292	400	93	403	403	272	1050	292	400	118			
8	457	521	342	1410	398	600	160	502	512	342	1410	398	600	200			

NPS (in)	Class 600						
	L		Lever		Worm Gear		Wt. (kg)
	RF	BW	M	M <sub>o</sub>	B	B <sub>o</sub>	
1/2	165	165	59	160	-	-	8
3/4	190	190	63	160	-	-	11
1	216	216	75	230	-	-	15
1 1/2	241	241	95	400	-	-	19
2	292	292	142	400	-	-	25
2 1/2	330	330	164	650	-	-	32
3	356	356	184	650	292	400	48
4	432	432	209	1050	398	600	76

## Reduced Bore Floating Ball Valve Dimensions & Weights (150#, 300#, 600#)



Lever Operated

Butt Weld Connection

Worm Gear Operated

NPS (in) DN x d <sub>o</sub>	Class 150								Class 300								mm
	L		Lever		Worm Gear		Wt. (kg)	L		Lever		Worm Gear		Wt. (kg)			
	RF	BW	M	M <sub>o</sub>	B	B <sub>o</sub>		RF	BW	M	M <sub>o</sub>	B	B <sub>o</sub>				
3/4 x 1/2	117	152	59	130	-	-	3	152	152	59	130	-	-	3			
1 x 3/4	127	165	63	130	-	-	4	165	165	63	130	-	-	4			
1 1/2 x 1 1/4	165	190	75	160	-	-	7	190	190	75	160	-	-	7			
2 x 1 1/2	178	216	95	230	-	-	9	216	216	95	230	-	-	9			
2 1/2 x 2	191	241	107	230	-	-	14	241	241	107	230	-	-	14			
3 x 2 1/2	203	283	142	400	-	-	19	283	283	142	400	-	-	19			
4 x 3	229	305	152	400	-	-	25	305	305	152	400	-	-	25			
5 x 4	356	381	178	650	-	-	32	381	381	178	650	-	-	32			
6 x 4	394	457	178	650	-	-	40	403	403	178	650	-	-	40			
8 x 6	457	521	272	1050	292	400	84	502	521	272	1050	292	400	84			

NPS (in) DN x d <sub>o</sub>	Class 600							
	L		Lever		Worm Gear		Wt. (kg)	
	RF	BW	M	M <sub>o</sub>	B	B <sub>o</sub>		
3/4 x 1/2	190	190	59	160	-	-	8	
1 x 3/4	216	216	63	160	-	-	11	
1 1/2 x 1 1/4	241	241	75	230	-	-	15	
2 x 1 1/2	292	292	95	400	-	-	19	
2 1/2 x 2	330	330	142	400	-	-	25	
3 x 2 1/2	356	356	154	650	-	-	48	
4 x 3	432	432	184	650	292	400	76	
6 x 4	559	559	209	1050	398	600	85	